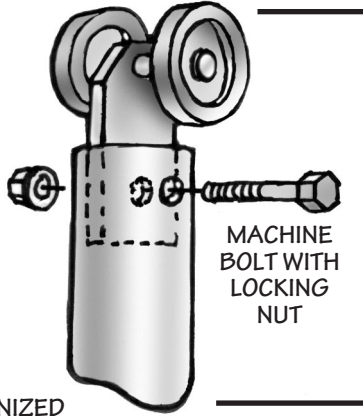
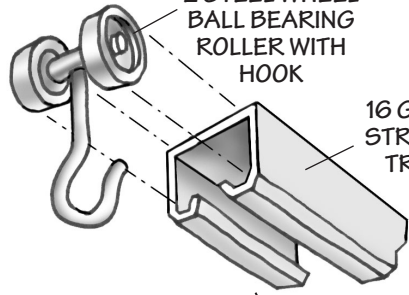


2 STEEL WHEEL BALL BEARING ROLLER WITH CONNECTOR



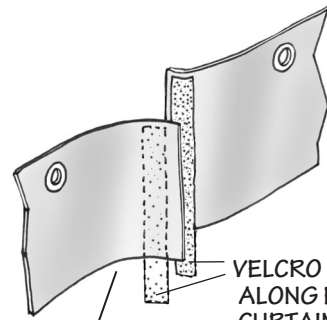
MACHINE BOLT WITH LOCKING NUT

2 STEEL WHEEL BALL BEARING ROLLER WITH HOOK



16 GAUGE STRAIGHT TRACK

VELCRO STRIPS ALONG ENTIRE CURTAIN EDGE



1" GALVANIZED PIPE



SELF-TAPPING METAL SCREW



"S" HOOK & BEAD CHAIN TO HOLD ANCHOR ROD IN OPEN POSITION

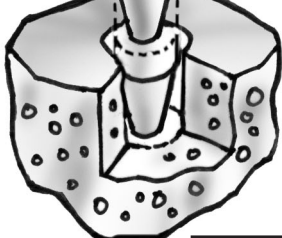
CANE BOLT LIFTING CATCH

3/4" STEEL ANCHOR ROD



NOTCHES FOR OPEN-END WRENCH

DRILLED FLOOR HOLE FOR ANCHOR ROD

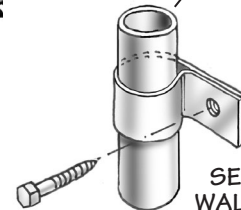


HEAT SEALED PIPE SLEEVES

CLEAR PVC

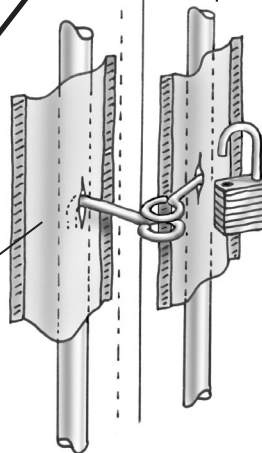
OPAQUE POLYESTER REINFORCED VINYL

VARIES
24"
53"



SECURITY WALL STRAP ATTACHED WITH LAG SCREW & ANCHOR OR WOOD SCREW

HEAT SEALED PIPE SLEEVES



CANE BOLT LIFTING CATCHES CAN BE LOCKED TOGETHER TO SECURE THE ENCLOSURE



5350 Campbells Run Road
Pittsburgh, PA 15205-9738
800-888-9750 • 412-787-9750

SAVE-T®
PIPE-STAFF ENCLOSURE